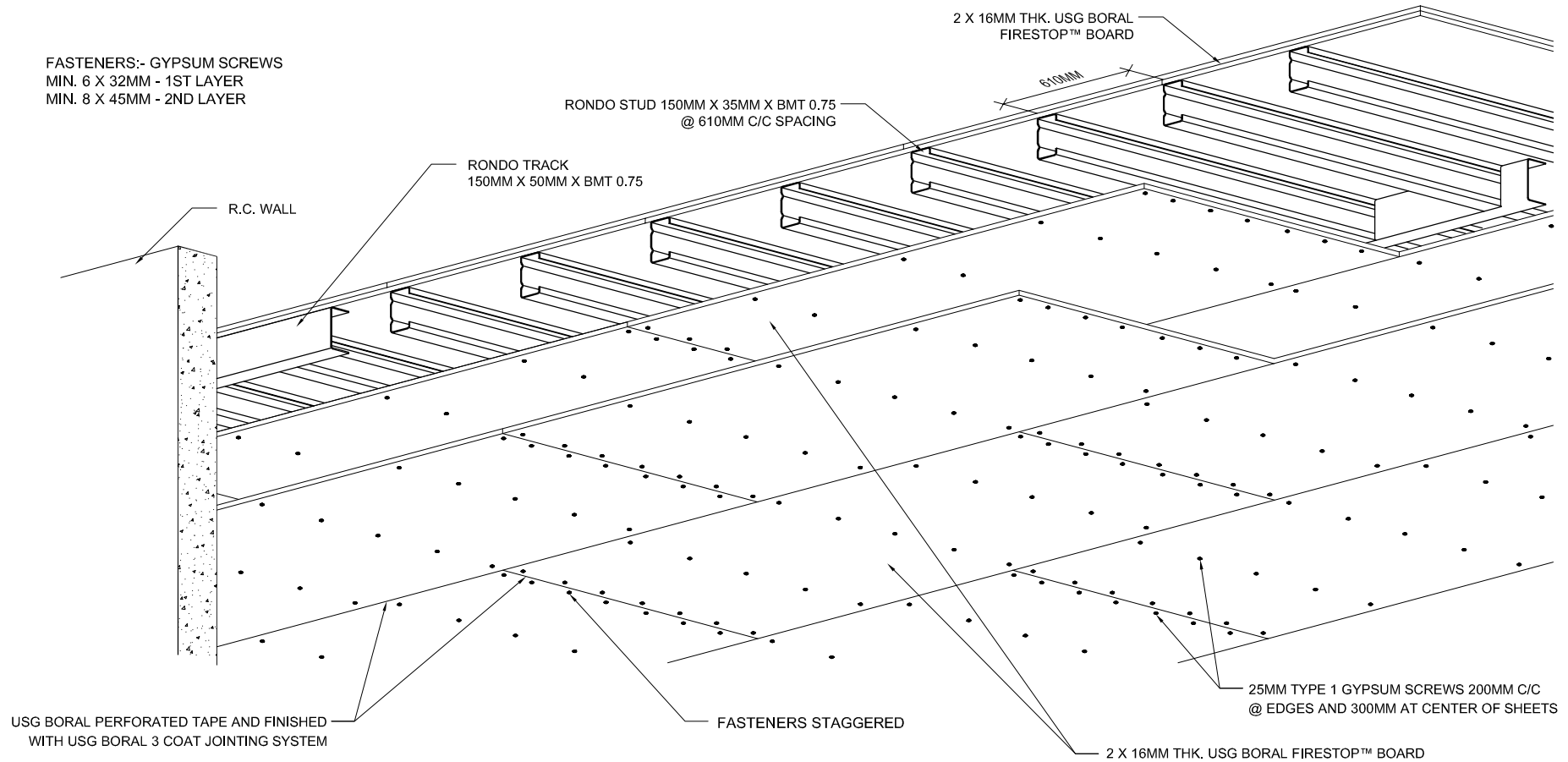


USG BORAL - 1HR FIRE RATED TWO WAY PROTECTION CEILING SYSTEM

ISOMETRIC VIEW



C1 ISOMETRIC VIEW
NTS

*NOTE:
APPLY USG BORAL FIRE RATED SEALANT TO ALL CEILING PERIMETER.
ALL PENETRATION OF SERVICES ETC, ARE TO BE FIRE STOPPED.

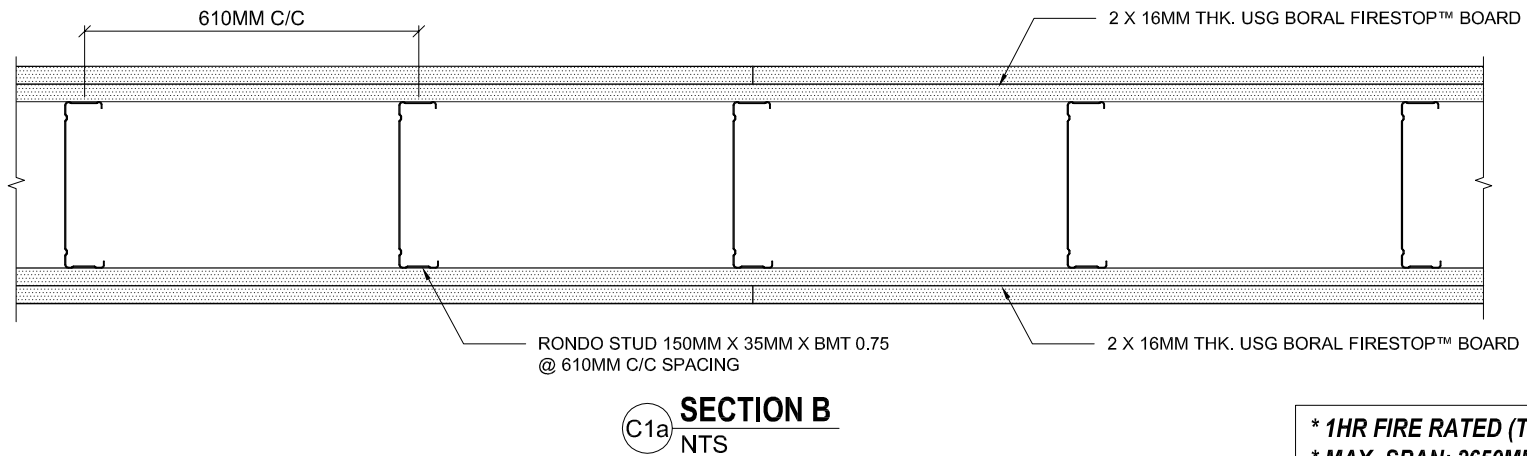
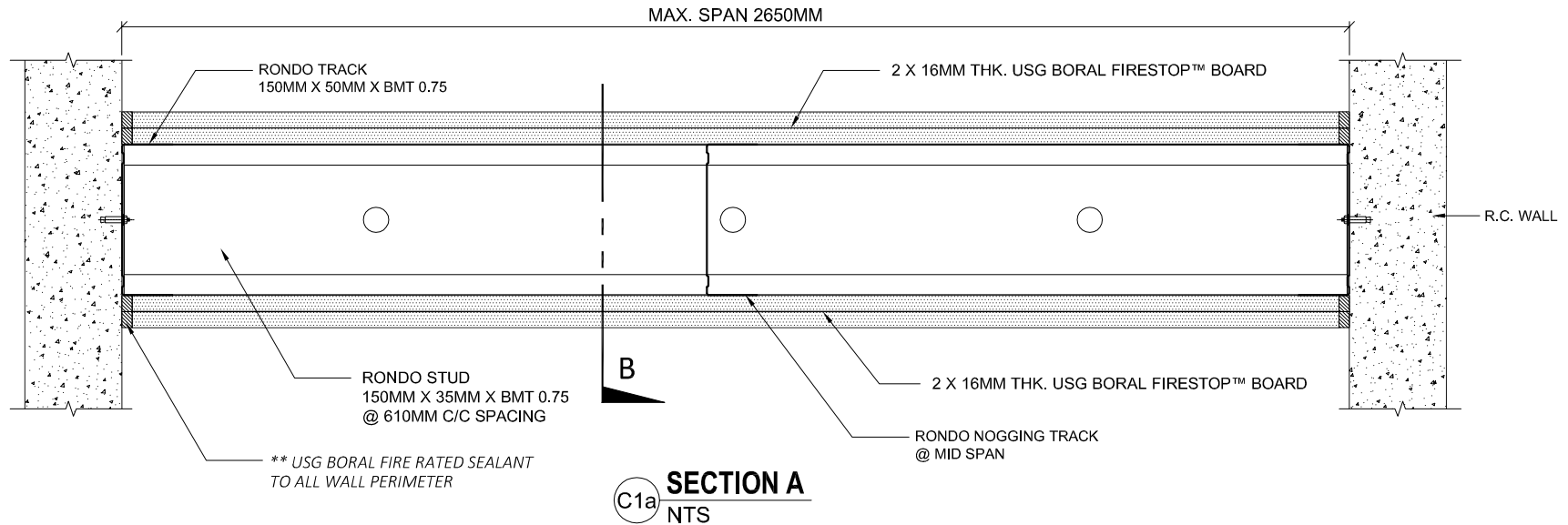
* 1HR FIRE RATED (TWO-WAY PROTECTION)
* MAX. SPAN: 2650MM



©2019 USG BORAL. ALL DESIGNS, SPECIFICATIONS AND TECHNICAL INFORMATION IN THIS DRAWING ARE PROPRIETARY TO USG BORAL. CONTENTS IN THIS DOCUMENT SHOULD NOT BE REPLICATED, REPRODUCED OR MODIFIED IN ANY FORM WITHOUT PRIOR WRITTEN CONSENT FROM USG BORAL. ALL CONTRACTORS ARE RESPONSIBLE FOR ENSURING ACCURACY IN DIMENSIONS AND THE USE OF THE LATEST REVISED DRAWING(S). BEFORE COMMENCING ANY WORKS ON SITE, ALL DISCREPANCIES OR IRREGULARITIES SHOULD BE REPORTED TO USG BORAL IMMEDIATELY.

USG BORAL - 1HR FIRE RATED TWO WAY PROTECTION CEILING SYSTEM

SECTION DETAILS



*** 1HR FIRE RATED (TWO-WAY PROTECTION)**
*** MAX. SPAN: 2650MM**



©2019 USG BORAL. ALL DESIGNS, SPECIFICATIONS AND TECHNICAL INFORMATION IN THIS DRAWING ARE PROPRIETARY TO USG BORAL. CONTENTS IN THIS DOCUMENT SHOULD NOT BE REPLICATED, REPRODUCED OR MODIFIED IN ANY FORM WITHOUT PRIOR WRITTEN CONSENT FROM USG BORAL. ALL CONTRACTORS ARE RESPONSIBLE FOR ENSURING ACCURACY IN DIMENSIONS AND THE USE OF THE LATEST REVISED DRAWING(S). BEFORE COMMENCING ANY WORKS ON SITE, ALL DISCREPANCIES OR IRREGULARITIES SHOULD BE REPORTED TO USG BORAL IMMEDIATELY.