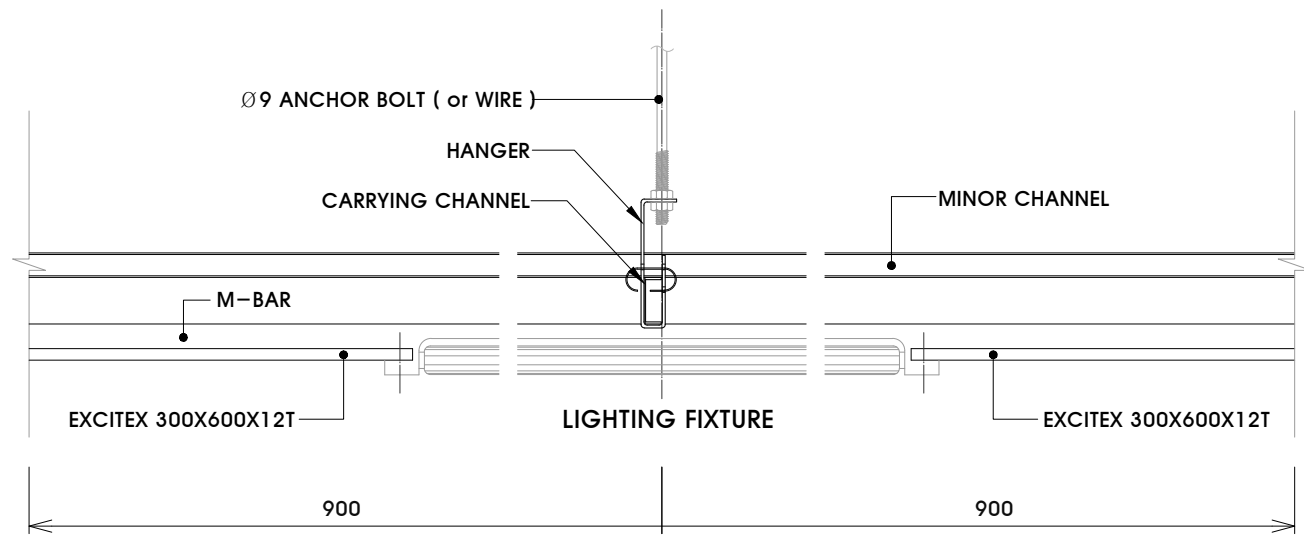
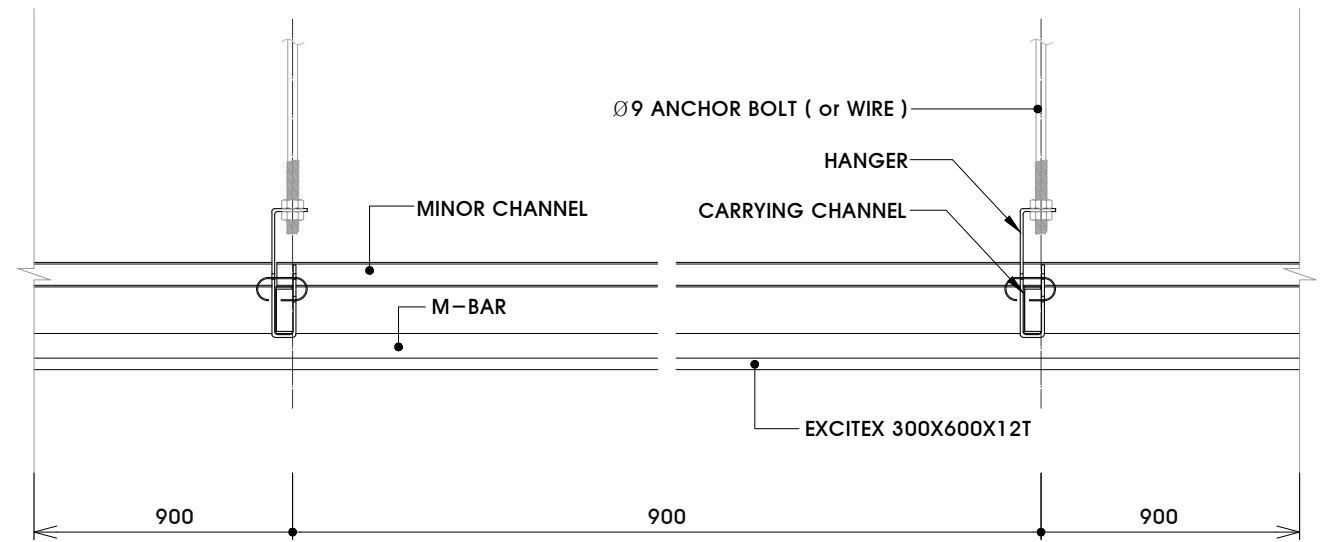


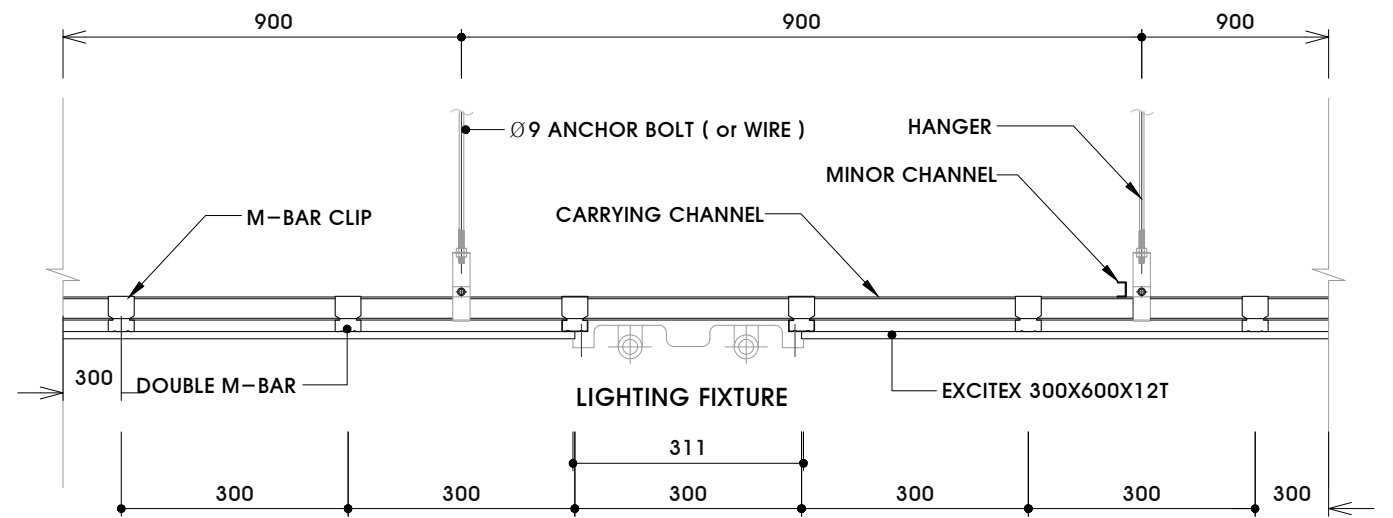
천장평면도 (M-BAR)



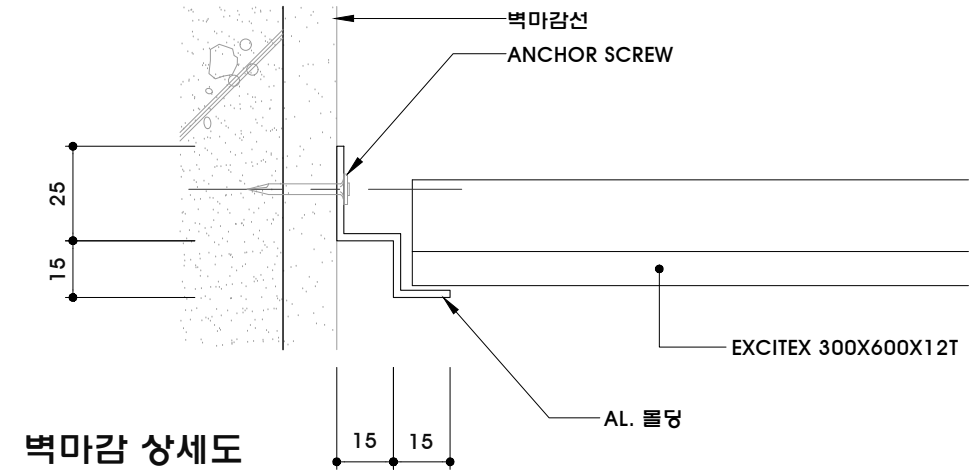
A-A' 단면 상세도



B-B' 단면 상세도



C-C' 단면 상세도



벽마감 상세도



| REVISION | DESCRIPTION | BY | DATE | DRAWN BY: | CHECKED BY: | SCALE: | DATE: |
|----------------|-------------|----|------|-----------|-------------|----------------|------------|
| | | | | | | NTS | 14/05/2019 |
| DRAWING TITLE: | | | | | | DRAWING NUMBER | REVISION |
| 엑시텍스 상세 | | | | | | KR-CSA-003 | |

DISCLAIMER: THE INFORMATION CONTAINED IN THIS DRAWING MAY ONLY BE USED IN CONJUNCTION WITH USG BORAL APPROVED MATERIALS AND SYSTEMS AND IS SUBJECT TO CHANGE WITHOUT NOTICE.